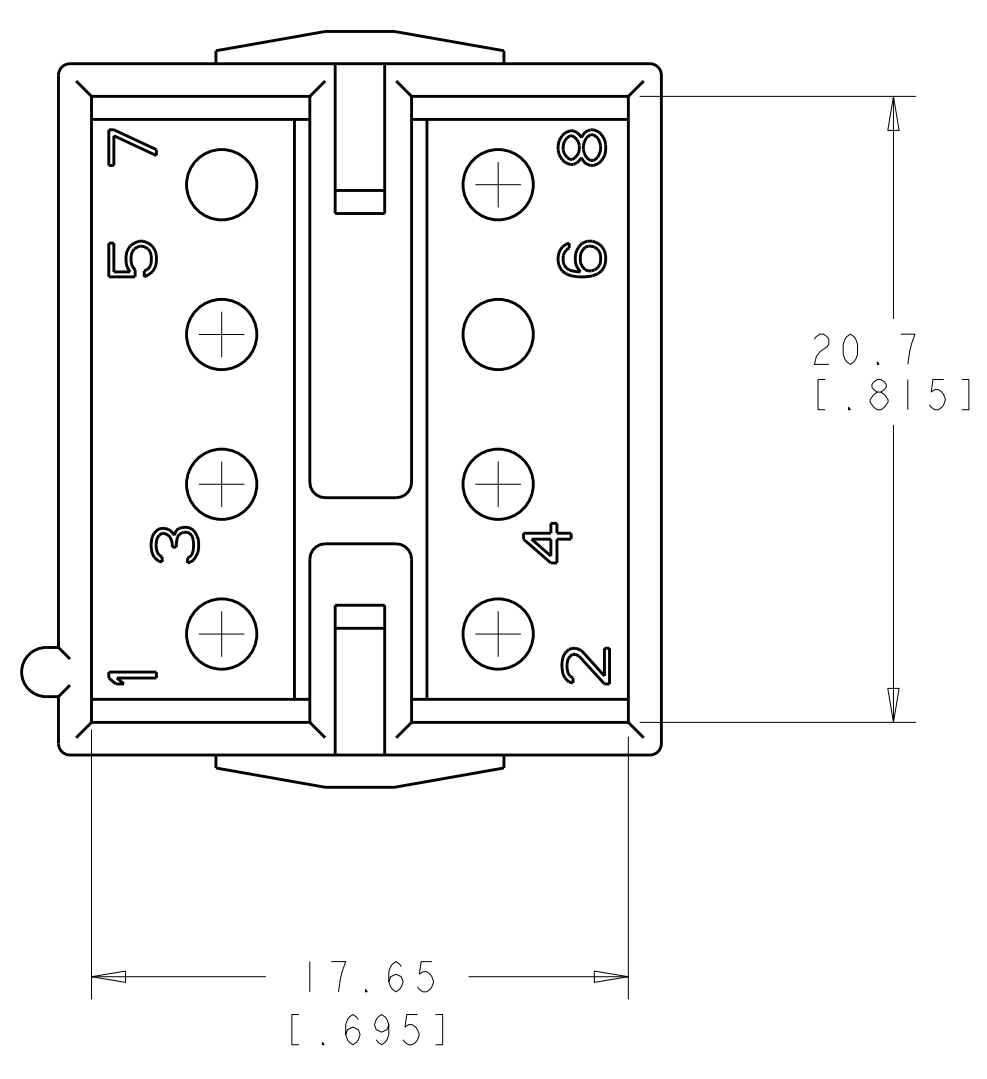
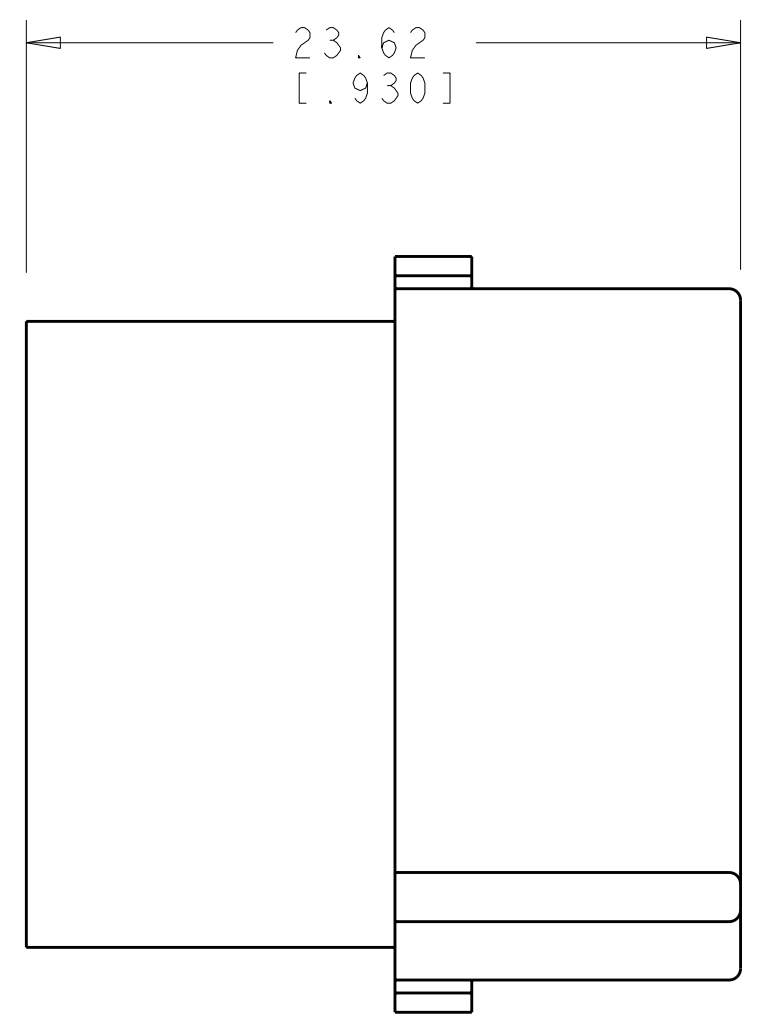
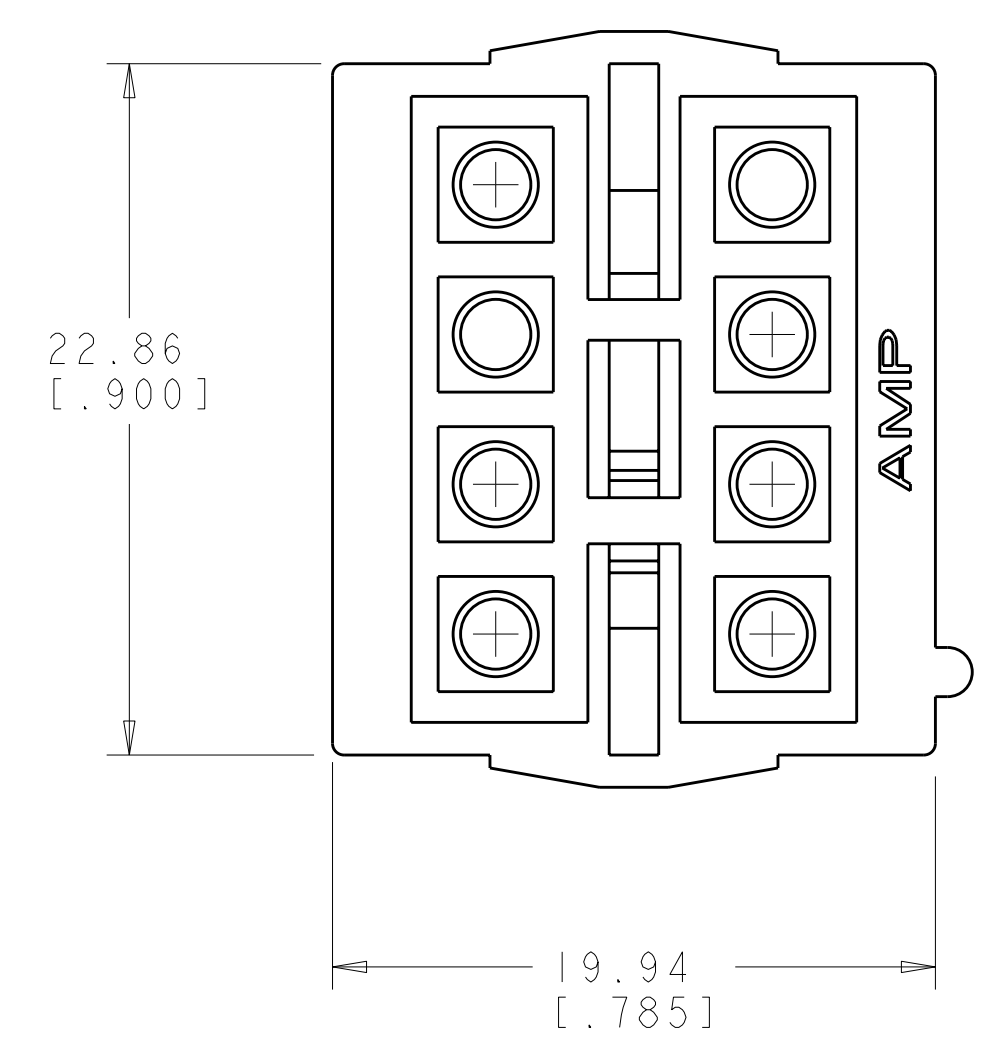
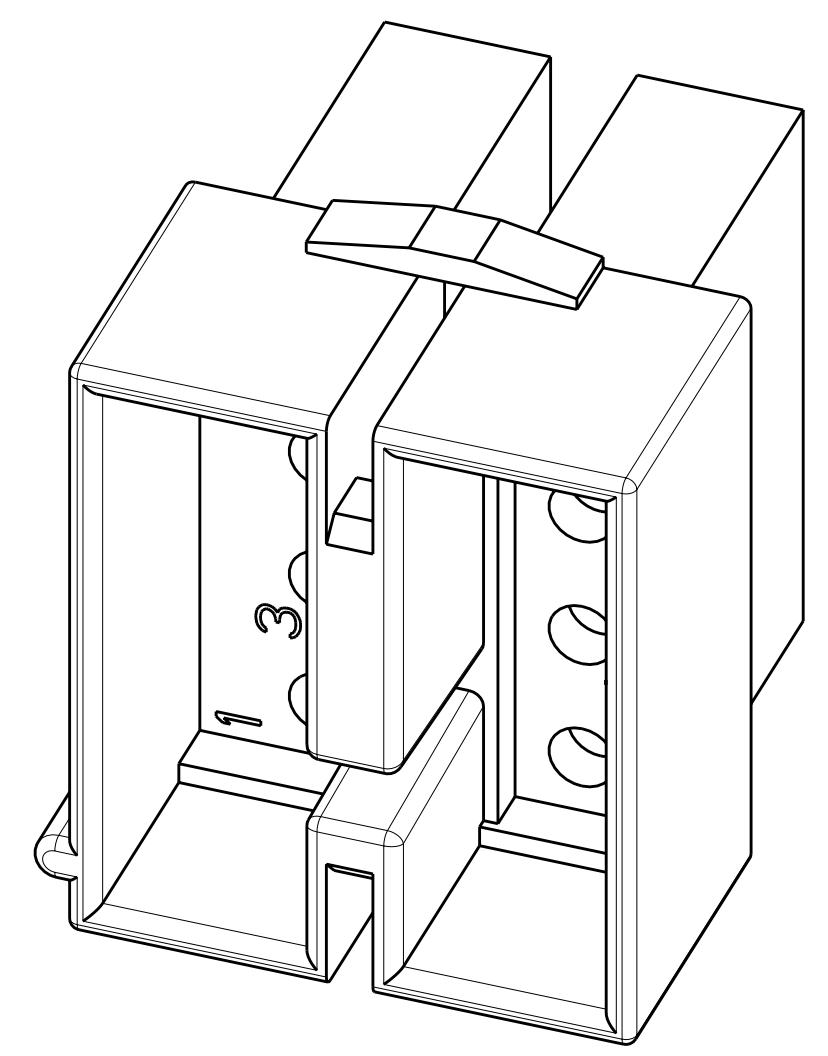
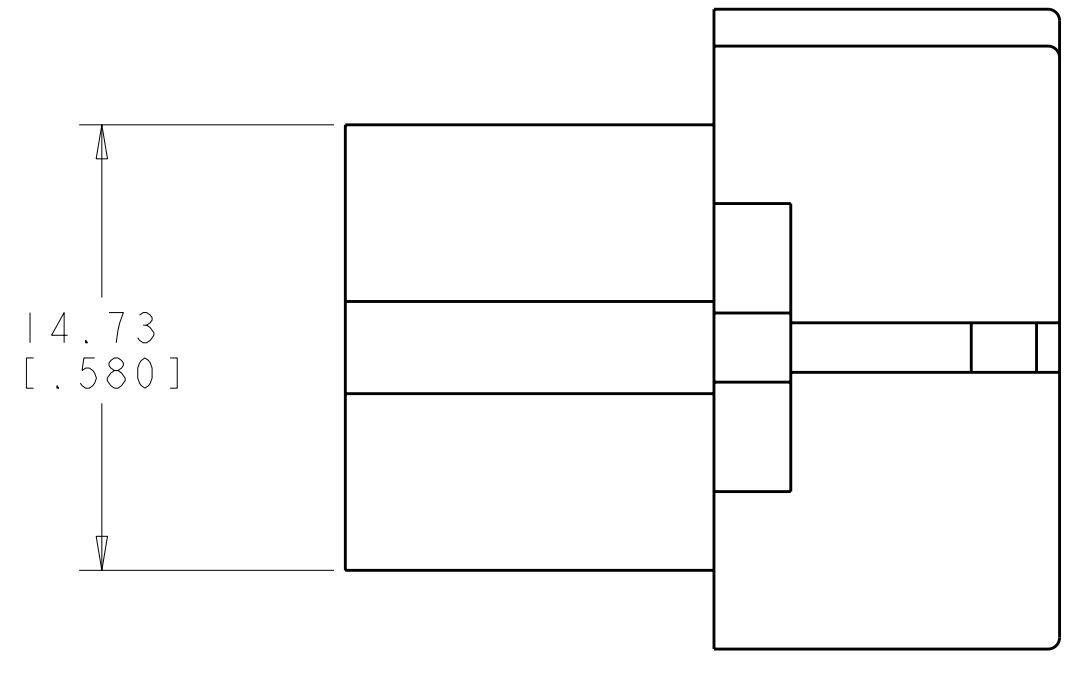


LOC	DIST	REVISIONS					
CM	00	P	LTB	DESCRIPTION	DATE	DWN	APVD
		HI		REVISED PER ECO-08-031693	19DEC2008	HMR	CC



- PART MATES WITH PLUG 480283.
- TO BE USED WITH COMMERCIAL MATE-N-LOK™ PINS.



0.24 IN ³	1-480345-0
VOLUME	PART NUMBER

METRIC

<small>THIS DRAWING IS UNPUBLISHED. RELEASED FOR PUBLICATION BY TYCO ELECTRONICS CORPORATION. ALL RIGHTS RESERVED.</small>		DWN: R. WHITAKER CHK: C. CASH APVD: C. CASH	Z0DEC2007 Z0DEC2007 Z0DEC2007	Tyco Electronics Harrisburg, PA 17105-3608
DIMENSIONS: mm [INCHES]		TOLERANCES UNLESS OTHERWISE SPECIFIED:		NAME: CAP. 8 CIRCUIT, COMMERCIAL MATE-N-LOK(TM)
9 PLC ± 8 PLC ± 5 PLC ±0.13 (1.005) 4 PLC ± ANGLES ± FINISH		9 PLC ± 8 PLC ± 5 PLC ± 4 PLC ± ANGLES ±40° 30' FINISH		PRODUCT SPEC: APPLICATION SPEC: WEIGHT: CUSTOMER DRAWING
MATERIAL: NYLON, UL 94V-2 NATURAL		SIZE: A 00779 C=480345		RESTRICTED TO:
AMP 4805 REV 31MAR2000 Pro/ENGINEER DRAWING		SCALE: 4:1 SHEET 1 OF 1 REV: HI		